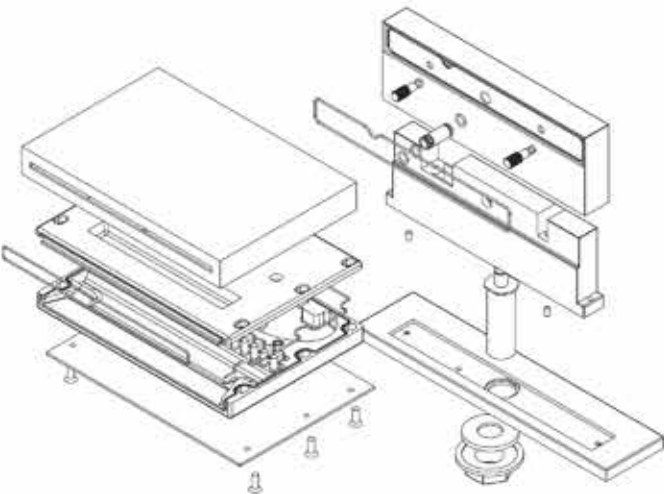


BATHTUB WATERFALL SPOUT

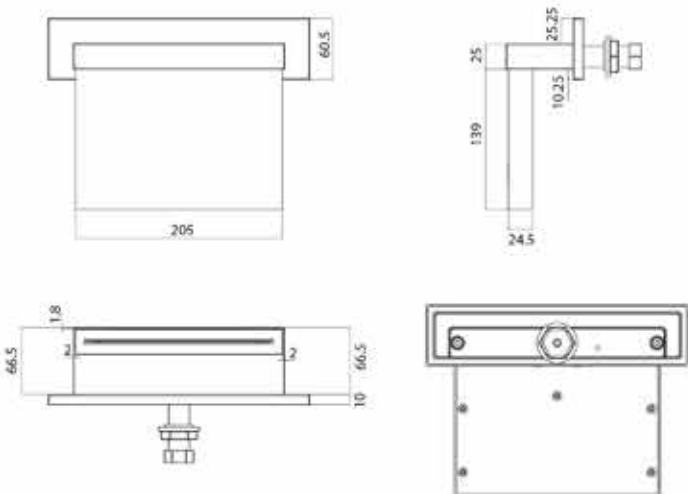
FINISHING: **CHROME PLATED** | ITEM CODE **5D112**



COMPONENTS DETAILS



DIMENSIONS








BATHTUB WATERFALL SPOUT

TECHNICAL DETAILS

Bathtub mount connector	1/2"	
Blade width water output	182 mm	
Blade thickness water output	1,5 mm	
Water flow rate	Bar	lt/min
	1,0	18,2
	1,5	21,5
	2,0	24,9
	2,5	28,3
	3,0	30,2
Noise test	Bar	dB
	3,0	24
	5,0	27,9

TECHNOLOGY

Suitable to work with chromotherapy LED devices	
Zero contact between water and Zamak parts	
No internal turbulence while it is operating	
Low emission of noise	
Patented water blade design	

MATERIALS

Outer shell	ZAMAK
Baseplate	ZAMAK
Bottom closure	BRASS
Internal cartridge	PLA/ABS
Seals	RUBBER
Locking screws	STEEL

Total weight kg	2,58
-----------------	------

GENERAL OVERVIEW

High performance water flow

Stable and safe assembling system

Suitable to be installed on:

steel, brass, chrome plated, gypsum board, drywall, ceramic, corian, etc.

The product is supplied with:

Nr. 1 water inlet connector
Nr. 1 seal and fixing nut

INSTALLATION DIAGRAM

