



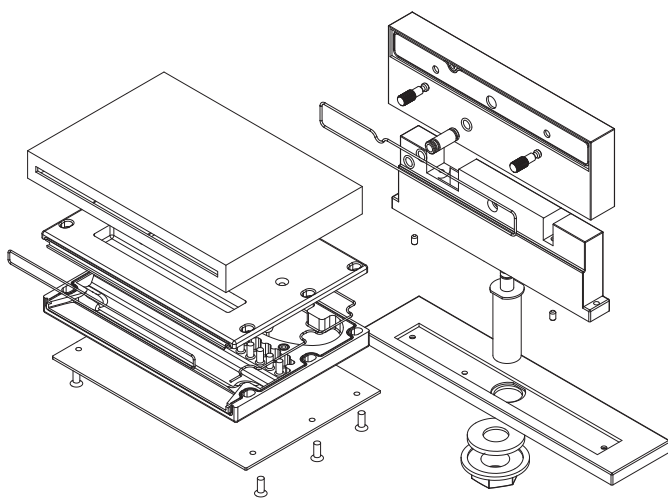
WATERFALL SPOUT COLLECTION

BATHTUB WATERFALL SPOUT

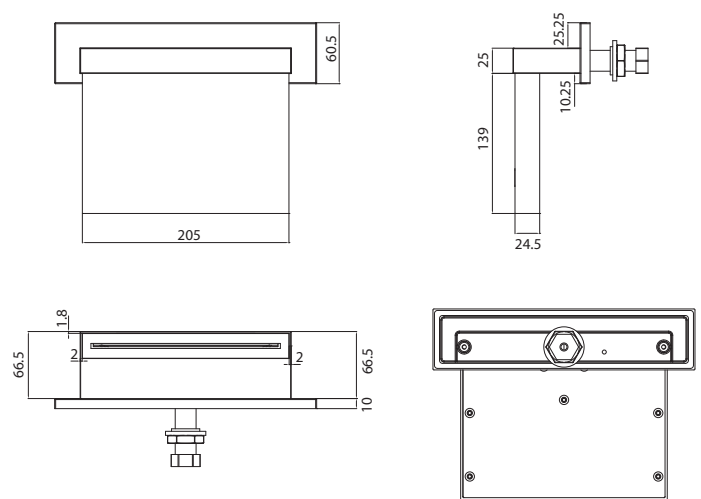
FINISHING: **CHROME PLATED** | ITEM CODE **5D112**



COMPONENTS DETAILS



DIMENSIONS





WATERFALL SPOUT COLLECTION

BATHTUB WATERFALL SPOUT

TECHNICAL DETAILS






Bathtub mount connector	1/2"	
Blade width water output	182 mm	
Blade thickness water output	1,5 mm	
Water flow rate	Bar	lt/min
	1,0	18,2
	1,5	21,5
	2,0	24,9
	2,5	28,3
	3,0	30,2
Noise test	Bar	dB
	3,0	24
	5,0	27,9

MATERIALS

Outer shell	ZAMAK
Baseplate	ZAMAK
Bottom closure	BRASS
Internal cartridge	PLA/ABS
Seals	RUBBER
Locking screws	STEEL

Total weight kg	2,58
-----------------	------

TECHNOLOGY

Suitable to work with chromotherapy LED devices	
Zero contact between water and Zamak parts	
No internal turbulence while it is operating	
Low emission of noise	
Patented water blade design	

GENERAL OVERVIEW

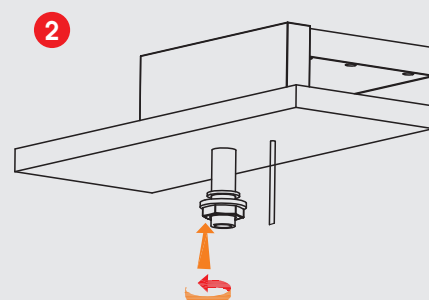
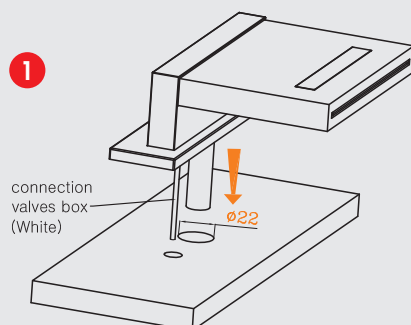
High performance water flow

Stable and safe assembling system

Suitable to be installed on:
steel, brass, chrome plated, gypsum board, drywall, ceramic, corian, etc.

The product is supplied with:
Nr. 1 water inlet connector
Nr. 1 seal and fixing nut

INSTALLATION DIAGRAM





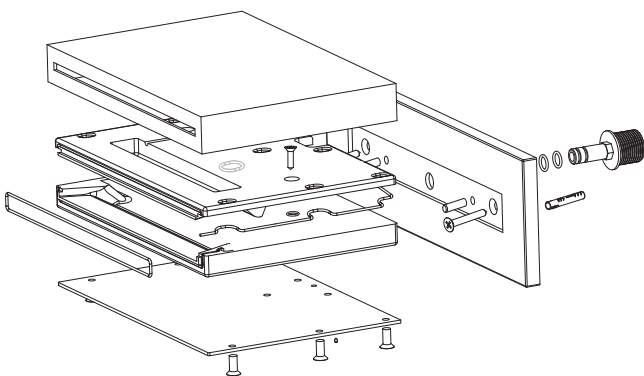
WATERFALL SPOUT COLLECTION

WATERFALL SPOUT

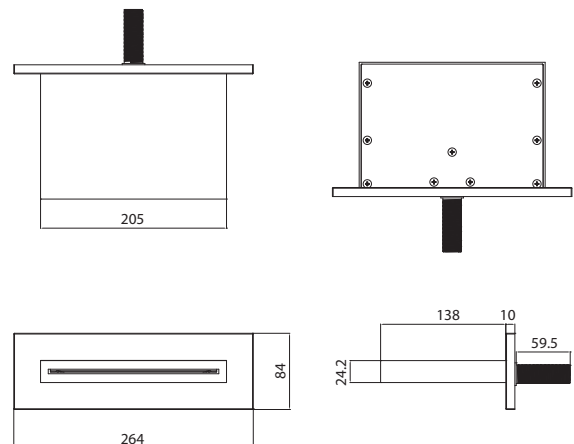
FINISHING: **CHROME PLATED** | ITEM CODE **5D110**



COMPONENTS DETAILS



DIMENSIONS





WATERFALL SPOUT COLLECTION

WATERFALL SPOUT

TECHNICAL DETAILS

Bathtub mount connector	1/2"	
Blade width water output	182 mm	
Blade thickness water output	1,5 mm	
Water flow rate	Bar	lt/min
	1,0	18,2
	1,5	21,5
	2,0	24,9
	2,5	28,3
	3,0	30,2
Noise test	Bar	dB
	3,0	24
	5,0	27,9

MATERIALS

Outer shell	ZAMAK
Base plate	ZAMAK
Bottom closure	BRASS
Internal cartridge	PLA/ABS
Seals	RUBBER
Locking screws	STEEL
Total weight kg	1,98

TECHNOLOGY

Suitable to work with chromotherapy LED devices	
Zero contact between water and Zamak parts	
No internal turbulence while it is operating	
Low emission of noise	
Patented water blade design	

GENERAL OVERVIEW

High performance water flow

Stable and safe assembling system

Suitable to be installed on:
steel, brass chrome plated, gypsum board, drywall, ceramic, corian, etc.

The product is supplied with:
Nr. 2 wall fixing screws
Nr. 2 fixing pins mouth/plate
Nr. 1 water inlet connector

INSTALLATION DIAGRAM

